



# 5G End-to-End Slicing

NSO is a Brilliant Domain Controller and  
Multi Domain Orchestrator

Fredrik Jansson  
Principal Engineer  
June, 2020

# Key Takeaways

- NSO as a Domain Controller

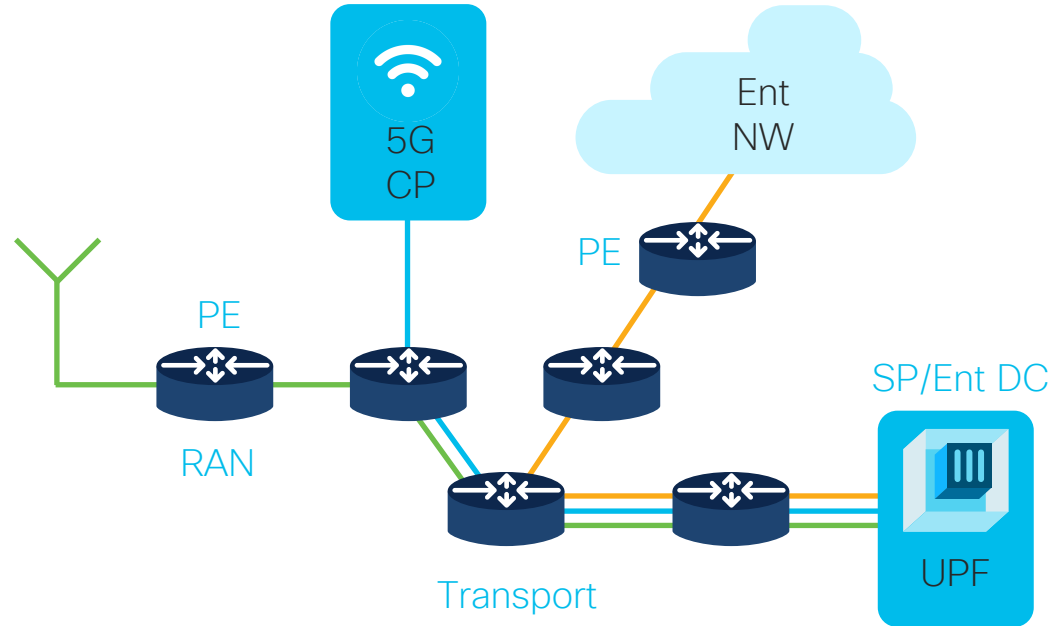
- NSO as a Cross Domain Orchestrator

# 5G end-to-end Slicing Overview



Multiple heterogenous domains

Dependencies between domain



# SP/Enterprise DC Domain

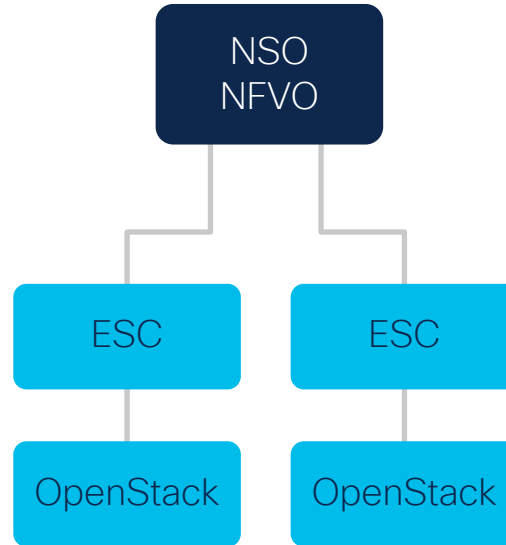


Multiple Datacenters

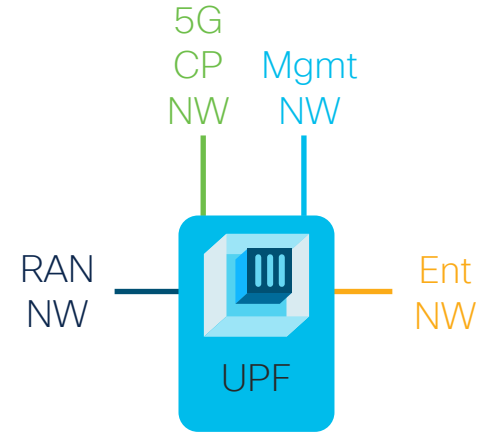
Complex MANO Stack

Complex networking for the UPF

Healing of the UPF



Complex Multi DC



Complex Networking

# Transport Domain



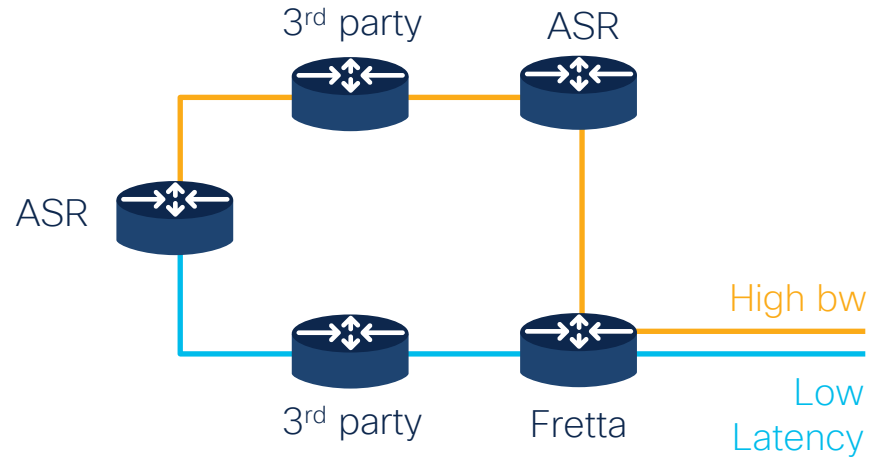
Large network

Multi Vendor

PEs with potentially complex configurations

Different QoS Requirements

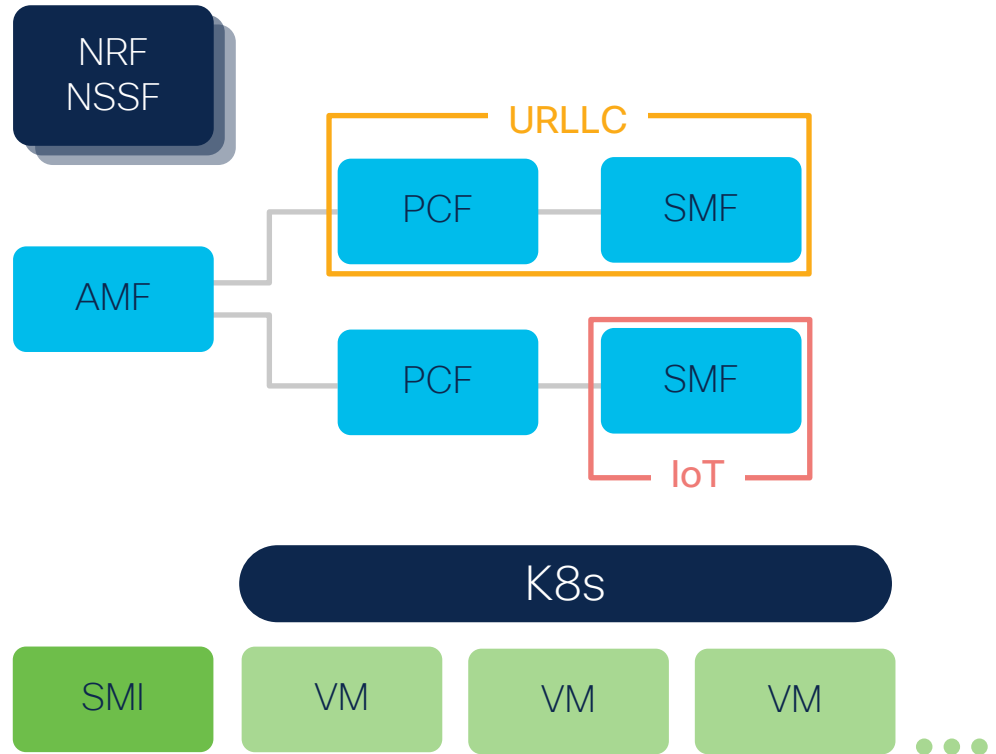
- Low Latency
- High bandwidth
- ...



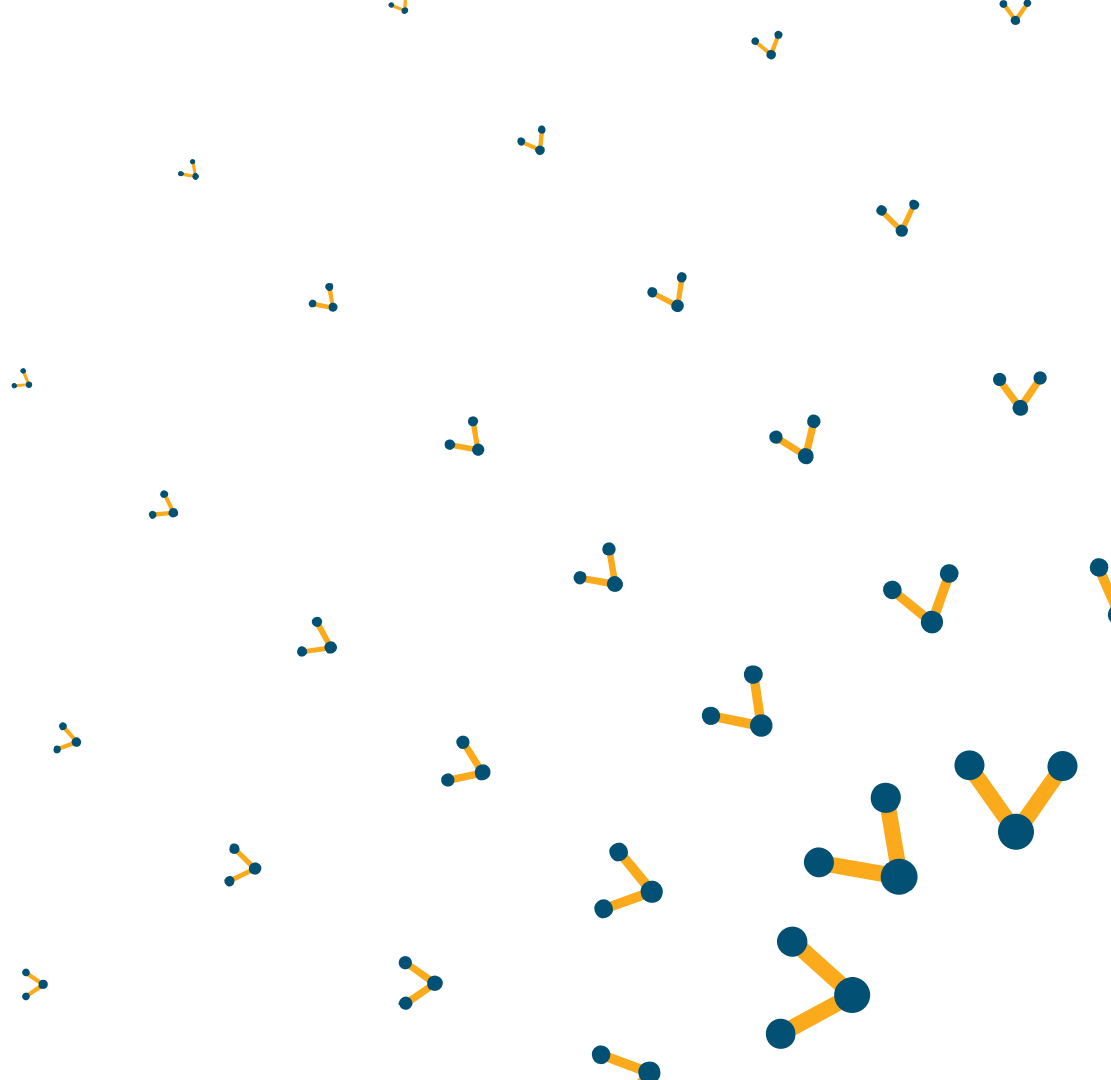
# 5G Domain



- K8s deployed on virtual machines
- Deployed on k8s
- Customers get different combinations of applications.
- Multiple applications
- Applications need coordination



Challenges?  
NSO is here  
for you!



# Datacenter NSO

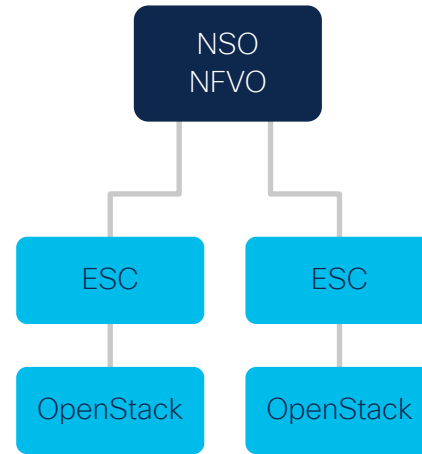


## NFVO

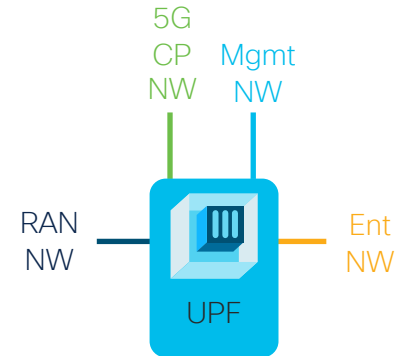
- Hides a lot of complexity around the life cycle of any VNF

## Domain Specific Service

- Easy to consume from the XDO



Complex Multi DC



Complex Networking



# Transport NSO

## NEDs

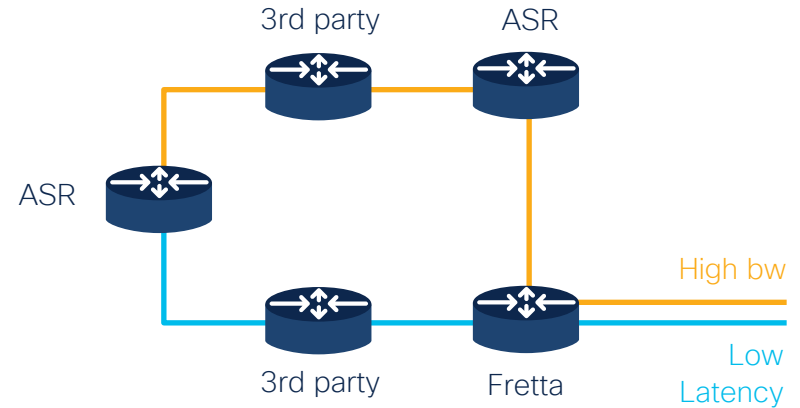
- Cisco
- Third Party

## T-SDN CFP

- Built to scale

## Domain Specific Service

- Easy to consume from the XDO



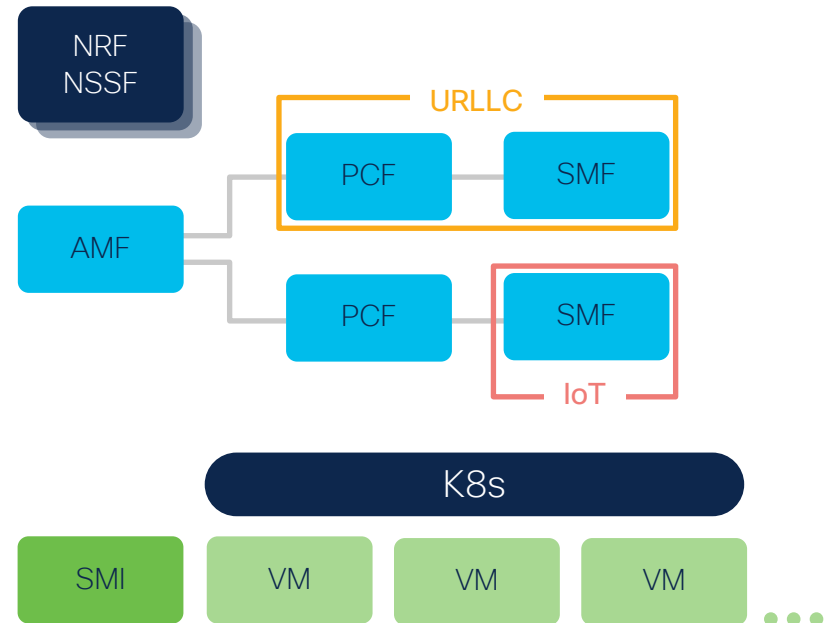
# 5G NSO

## SMI

- Embedded ConfD
- 5G CP Applications
- NETCONF NED
- Notifications

## Structured 5G Service

- Providing clear dependencies between the applications



# XD NSO

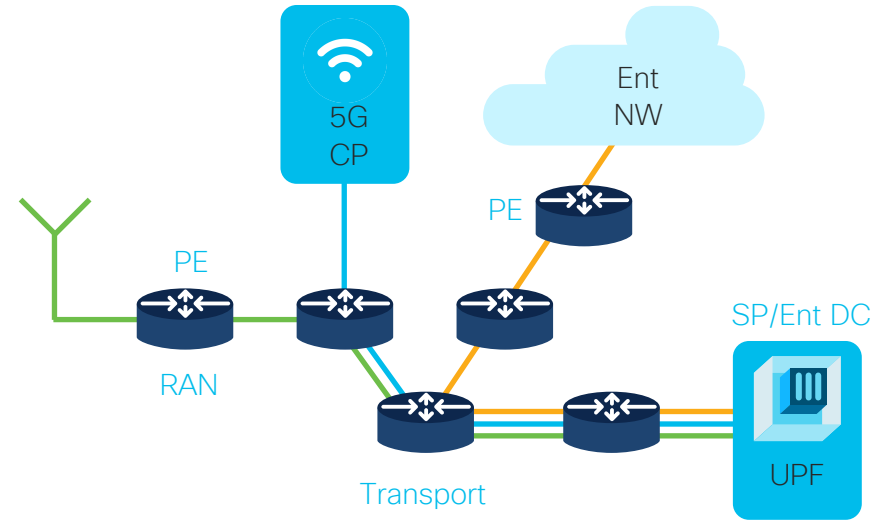
Provide Abstraction

- LSA CFS Services

Domain Notifications

- Standard plan state changes

FastMAP across domains





How does this  
apply to you?

The key is to divide  
and conquer!

Build Domain Controllers

Connect using the Cross  
Domain Orchestrator

